

Formshore Tetrapods & Dolos

Formshore's Tetrapods and **Dolos** are advanced concrete structures engineered to protect coastlines from the devastating effects of wave erosion. These durable, strategically designed units offer exceptional performance for long-term coastal and harbor defense.

Tetrapods:

Design: Four interlocking legs provide stability, forming a porous barrier that reduces the force of waves while allowing water to flow through.

Functionality: Ideal for dissipating wave energy and minimizing scouring at seawalls, breakwaters, and harbor edges.

Versatility: Effective in a wide range of conditions, from moderate to high-energy wave environments.



Dolos:



Shape: Their unique, asymmetrical design enhances energy absorption and interlocking capabilities, providing unmatched stability under extreme wave conditions.

Durability: Engineered to withstand multi-directional wave forces, they are particularly suited for regions exposed to severe weather and strong currents.

Applications: Commonly used for breakwaters, jetties, and port protection, ensuring the safety of infrastructure and coastal habitats.

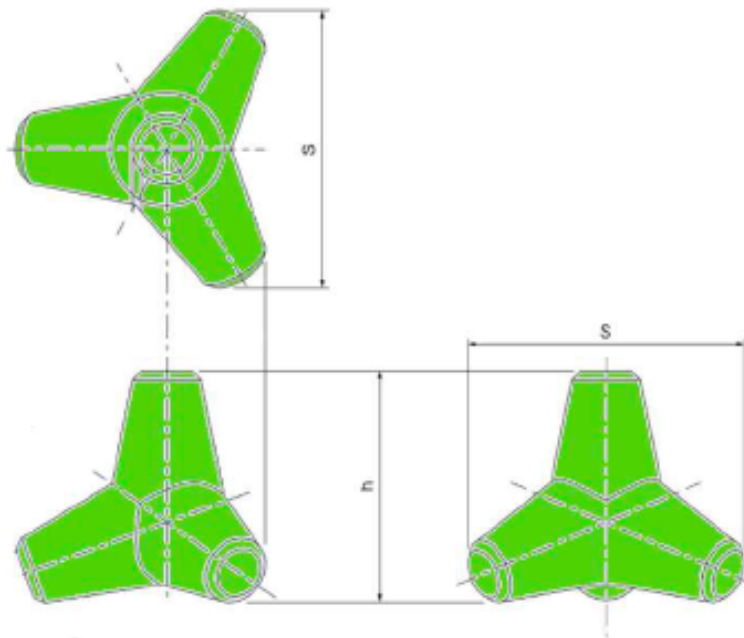
Why Choose Both?

When used together, Tetrapods and Dolos offer a complementary defense system. Tetrapods provide excellent interlocking capabilities, while Dolos add enhanced energy dissipation, making them ideal for areas with complex wave dynamics. This combination maximizes stability and longevity, ensuring robust protection for your coastline.

Fabrication

Formshore build their own Tetrapod and Dolos molds in the Batam workshop, these are engineered and fabricated to client specified dimensions or project requirements

Weight (Ton)	Concrete Volume	S (metres)	H (metres)
1.5	0.63 m ³	1.4	1.3
3.0	1.25 m ³	1.9	1.6
5.0	2.08 m ³	2.3	1.9
8.0	3.33 m ³	2.7	2.2
13.0	5.42 m ³	3.1	2.6
20.0	8.33 m ³	3.6	3.0



Note: Weights and dimensions for Dolos forms are available on request